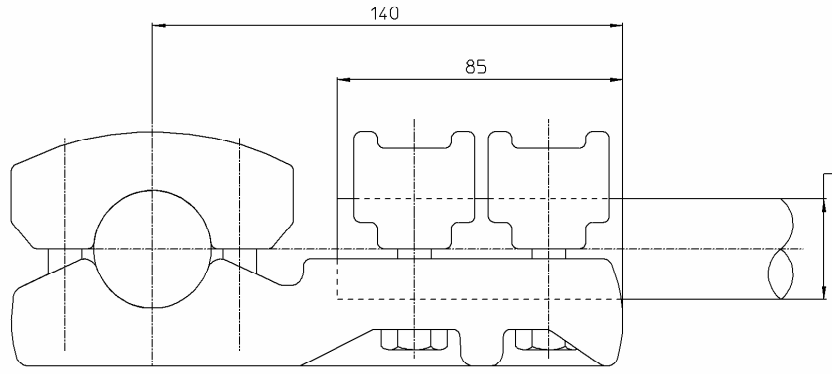


THIS DRAWING IS UNPUBLISHED  
 DIFFUSION RESTREINTE  
 © COPYRIGHT 2011 by Tyco Electronics Corporation

RELEASED FOR PUBLICATION  
 LIBRE A LA DIFFUSION  
 2011  
 ALL RIGHTS RESERVED.  
 TOUS DROITS RESERVES

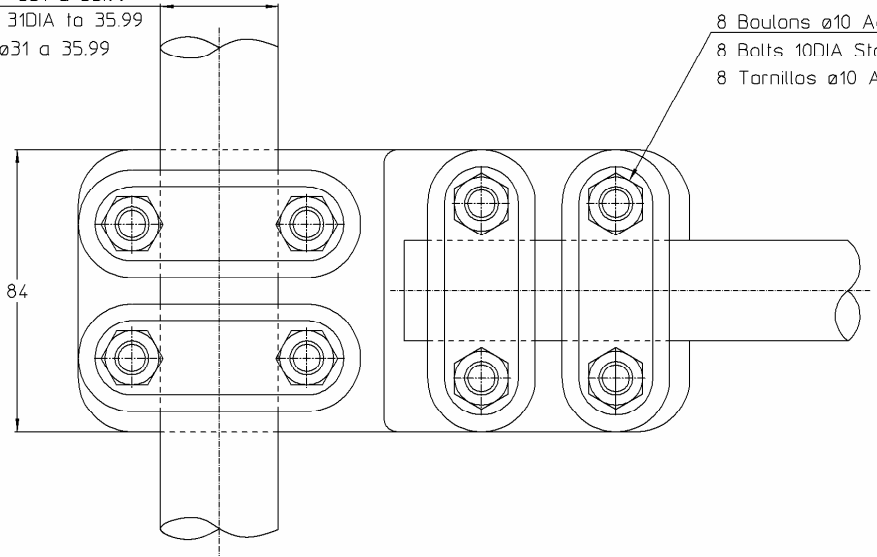
LOC -  
 DIST -

REVISIONS					
P	LTR REV	DESCRIPTION MODIFICATIONS	DATE	DWN DESS	APVD APPR
A		FD351	21-Sep-93	LR	-
B		FE724	--	-	-
C		UPDATED DRAWING	07-May-13	PG	-




Cable ou tube ø26 à 30.99  
 Cable or tube 26DIA to 30.99  
 Cable o tubo ø26 a 30.99

Cable ou tube ø31 à 35.99  
 Cable or tube 31DIA to 35.99  
 Cable o tubo ø31 a 35.99



8 Boulons ø10 Acier Inox A2  
 8 Bolts 10DIA Stainless steel A2  
 8 Tornillos ø10 Acero inoxidable A2 } 37 Nm

THIS DRAWING IS A CONTROLLED DOCUMENT. <small>CE PLAN EST UN DOCUMENT CONTROLE PAR TYCO ELECTRONICS CORPORATION        ET EST SUSCEPTIBLE D'ETRE REUSE POUR AUTRE LA SERVICE TECHNIQUE.        CONTACTER LE SERVICE TECHNIQUE DE TYCO ELECTRONICS SHEL SAS        2120 GENEVY-CHAMBERY, FRANCE.</small>		DWN /DESSINE ROYER	21-Sep-93	 <b>TE connectivity</b> SIMEL PRODUCTS	
DIMENSIONS: mm		CHK/VERIFIE -	APVD/APPROUVE -		
TOLERANCES UNLESS OTHERWISE SPECIFIED PER TOLERANCES NON SPECIFIEES SELON :-		PRODUCT SPEC SPEC PRODUIT 02BFC0031	APPLICATION SPEC SPEC APPLICATION -	SIZE FORMAT A3	CAGE CODE 00779
MATERIAL MATIERE -	FINISH FINITION -	WEIGHT MASSE APPROX 1.3 Kg	DRAWING NO No PLAN 706626	RESTRICTED TO RESERVE A -	
CUSTOMER DRAWING /PLAN CLIENT			UNQUEMENT POUR REFERENCE	SCALE ECHELLE 2/3	SHEET FEUILLE 1 OF DE 1

ITEM: .....11.....